

PAPER

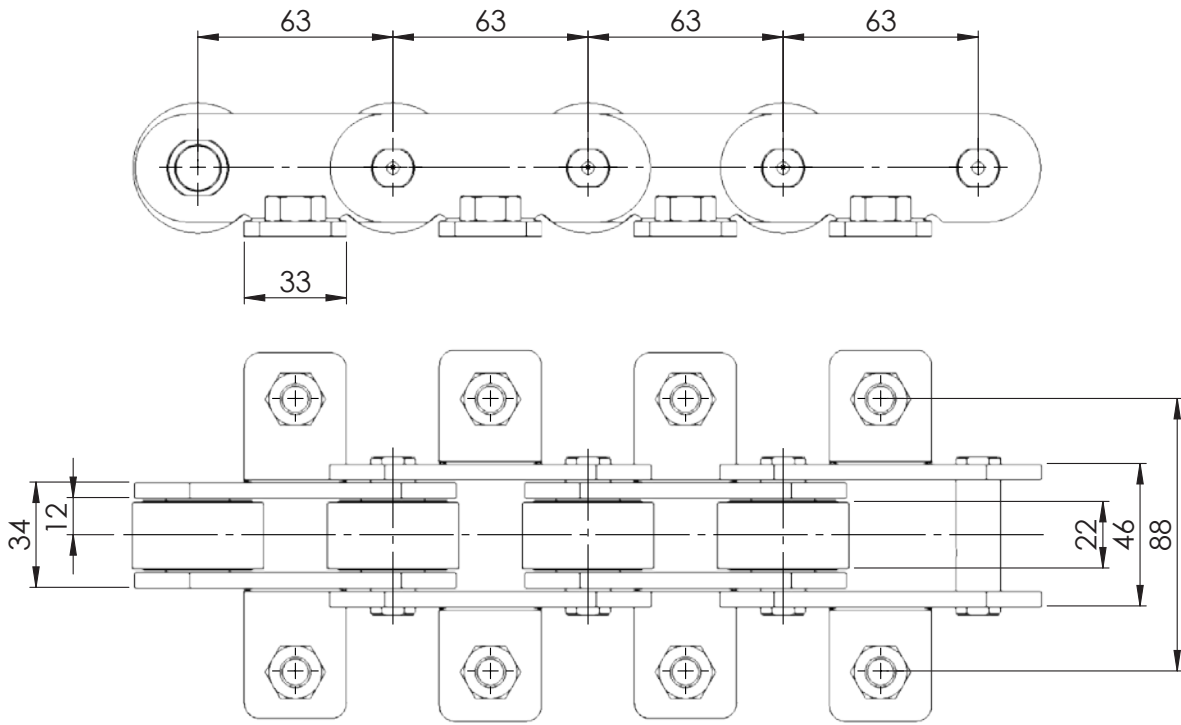
- MKS Paper P: 63
- MKS Paper P: 160
- MKS Paper P: 200

As Makelsan Chain, we use the chains we produce in the paper industry;

- › as grinding chains for deflection of tree bodies
- › as conveyor chains on conveyor belts for paper pulp lines and paper rolls for old paper and cellulose.

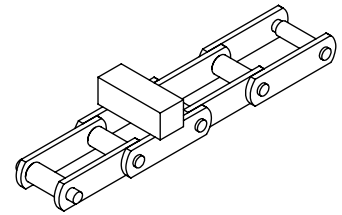
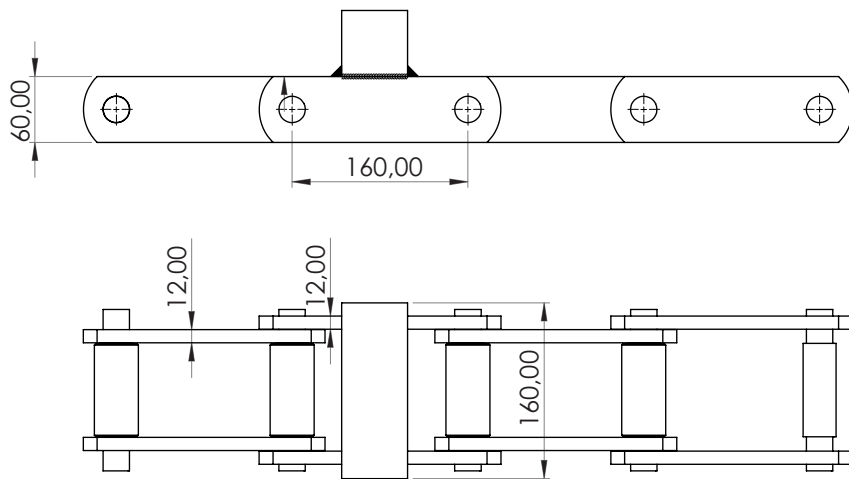


MKS Paper P: 63

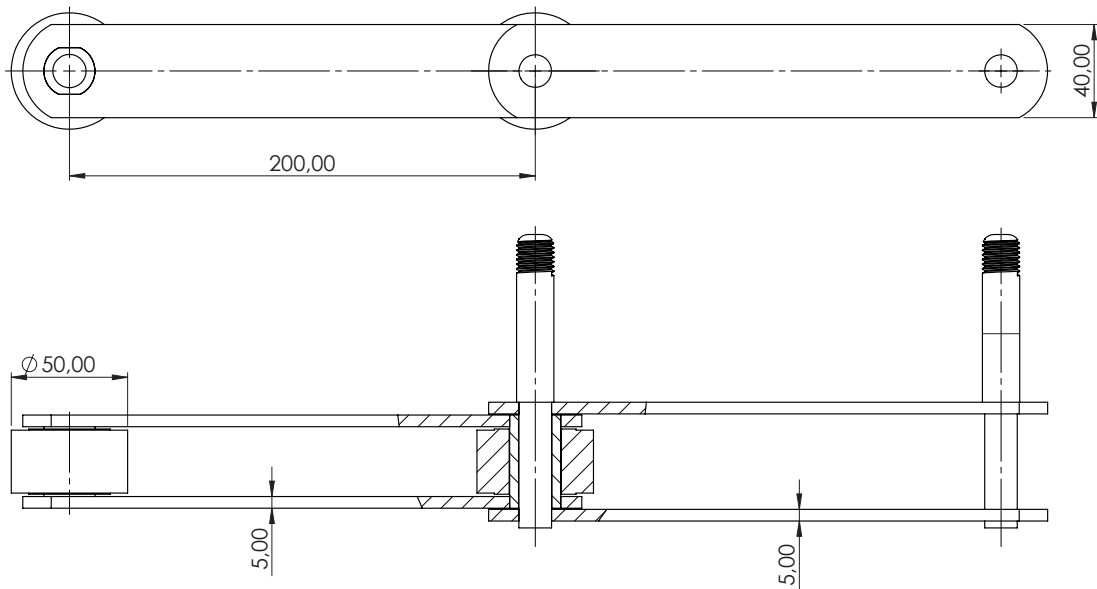


Production based on a given sample or a technical drawing.

MKS Paper P: 160



MKS Paper P: 200



Production based on a given sample or a technical drawing.